

# SISTO-SK-i

## Programmable Intelligent Position Indicator

Energy ■ Industry ■ Building services ■ Water ■ Sewage ■ Mining



### Applications:

Pharmacy  
Biotechnology  
Chemical Industry  
Food and beverage

[www.hekomatic.de](http://www.hekomatic.de)

# SISTO-SK-i

Programmable Intelligent Position Indicator

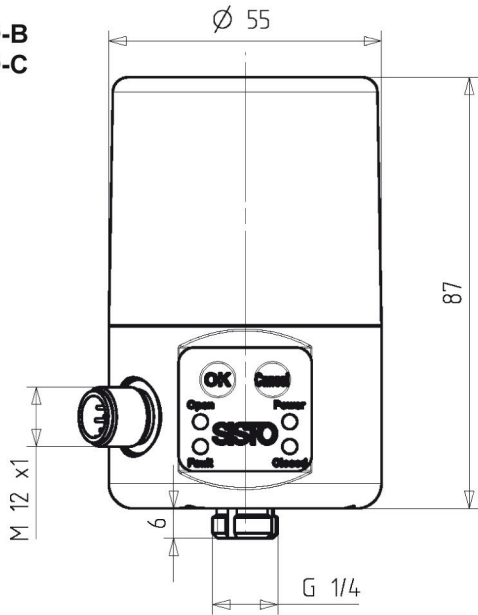


## Features:

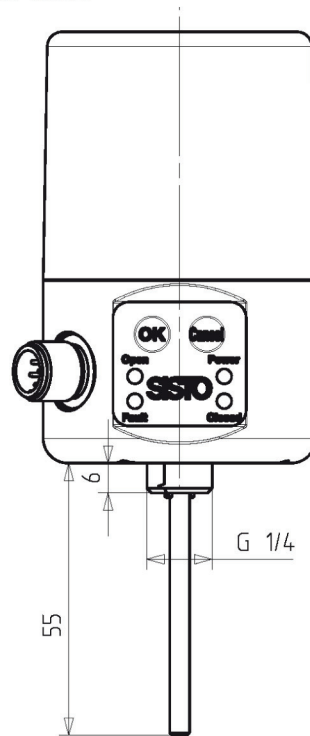
- ▶ For linear actuators up to 46 mm stroke
- ▶ On site programming (initializing) over 2 push buttons
- ▶ External programming input
- ▶ Intelligent / teachable
- ▶ Optical LED feedback (open / closed / power / error)
- ▶ Quick cable connection over M 12 plug
- ▶ Electronic open/closed feedback
- ▶ Error output

## Executions:

- ▶ Stainless steel housing
- ▶ Plastic housing
- ▶ With integrated solenoid valve

SISTO-B  
SISTO-C

Linear stroke valve



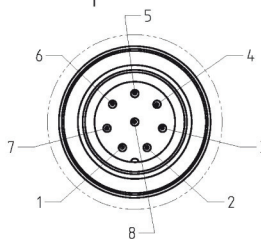
## Optical display

Function	Colour
Power	Green
Open	Orange
Closed	Yellow
Fault	Red



## Plug connection

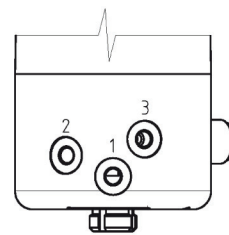
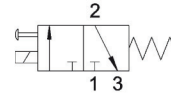
Pin	Allocation
1	+24V
2	DO Open
3	0V
4	DO Closed
5	DI Teach In
6	DI Solenoid valve <sup>1</sup>
7	DO Error
8	-



DO Digital output  
DI Digital input

Pneumatical connection<sup>1</sup>

Connection	Allocation
1	Air supply
2	Actor
3	Air outlet



## How to order

SK-i	Design		Material		Mounting to	
	S0	Position indicator	K0	PA66-GF30	00	SISTO-B/-C
S5	Position indicator with solenoid valve	00	Stainless steel 1.4404	02	Rod Ø4x55 <sup>2</sup>	

## Example how to order:

SK-i S0 K0 02

SK-i

Design - Position indicator

Material - PA66-GF30

Mounting - Rod Ø4x55

1) with integrated solenoid valve, only

2) for mounting on linear stroke valves, other dimensions also available